

getsorted[®]

Storage for Your Home

FURNITURE &
WARDROBES



Easy to Assemble



www.getsortedstorage.com



Manufactured by
INTERNATIONAL MERCHANTS (NZ) LTD.
NEW ZEALAND

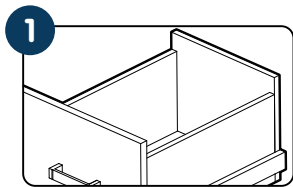
Ph. 64 7 576 0900 | Email. sales@inter.co.nz

Strong, stylish, flexible storage for your home.

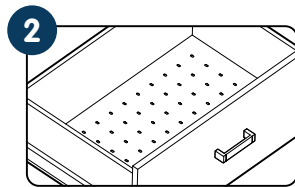
Whether you need to get your wardrobe sorted, give your bedroom (or your kid's room) a make-over, or provide a place for your flash new TV, **GetSorted** has the answer.

GetSorted storage looks great, with simple contemporary styling that doesn't cost the earth. Furniture and wardrobes can be configured to fit spaces of all shapes and sizes, and use eco-friendly timber panels to keep your home safe. Best of all **GetSorted** is super easy to put together with simple instructions – headache free.

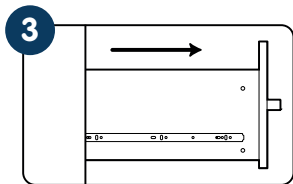
GetSorted is packed with great features:



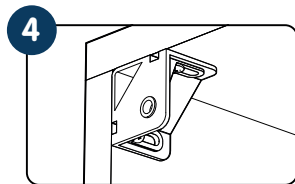
High back drawers stop contents escaping



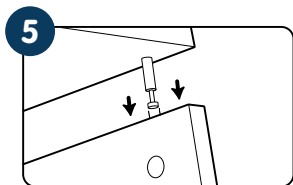
Vented & sturdy metal drawer base



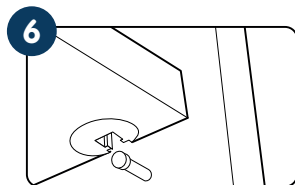
Full extension drawer runners for easy access



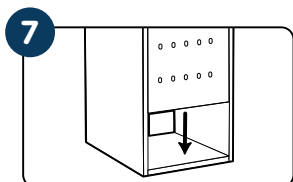
Corner bracing for strength & rigidity



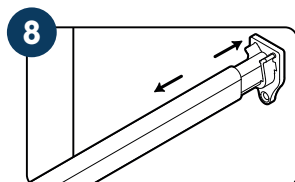
Secure top mount fixing



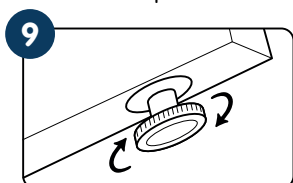
Friction lock shelves remain stable



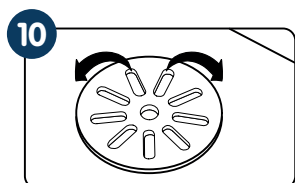
Vented stabilising rear panel



Expandable wardrobe rails



Adjustable feet keep things level



Totally vented system keeps contents fresh



3. Wardrobe Components

GetSorted combinations are limited only by your imagination. Make your shopping list, purchase, and assemble – **it's that easy.**

N.B RODS CAN BE REMOVED TO REDUCE SPACE REQUIRED.

e.g Removed from 1 side less 625mm
Removed from both sides less 1250mm

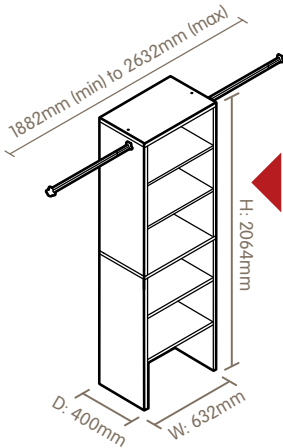
Available in maple & white



Double wardrobe system

STANDARD WIDTH WARDROBE KIT

BT6KIT

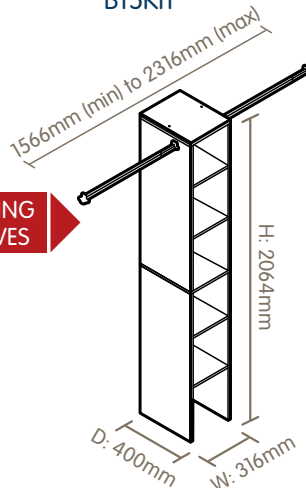


INCLUDES HANGING RODS AND SHELVES

A great basic wardrobe straight out of the box or add accessories

HALF WIDTH WARDROBE KIT

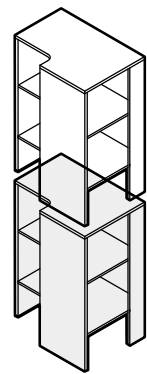
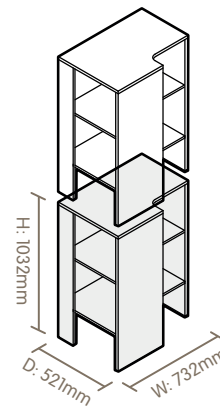
BT5KIT



CORNERS

BT3
RIGHT OPENING

BT4
LEFT OPENING



Step 1 – select your base

Step 2 – add accessories

	BA3 Half Height Drawer	N/A	N/A
	BA2 Standard Drawer		BA1 Half Width Drawer
	BA8 Standard Wire Basket		BA7 Half Width Wire Basket
	BA10 Standard Fabric Basket in Beige or Grey		BA9 Half Width Fabric Basket in Beige or Grey
	BA6 Standard Shelf Set		BA5 Half Width Shelf Set
	BA13 Shoe Shelf Set	N/A	N/A
	BA11 Adjustable Hanging Rod		BA11 Adjustable Hanging Rod
	BA12 Adjustable Shelf		BA12 Adjustable Shelf
	2x BA4 Doors		BA4 Door
			N/A



4. Wardrobes

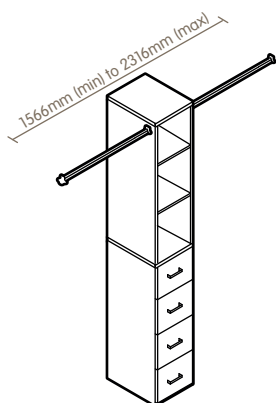
Choose from these popular combinations or use them as a starting point to create your own wardrobe design. Available in white or maple.

N.B RODS CAN BE REMOVED TO REDUCE SPACE REQUIRED.

e.g Removed from 1 side less 625mm
Removed from both sides less 1250mm



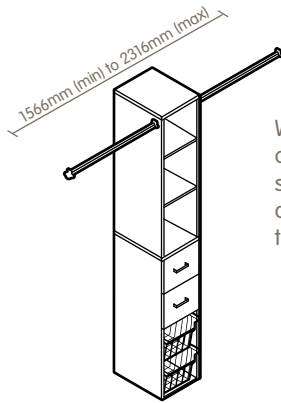
Single wardrobe system



For a single or double wardrobe, use the adjustable hanging rods at full or half height.

1111 Shopping List

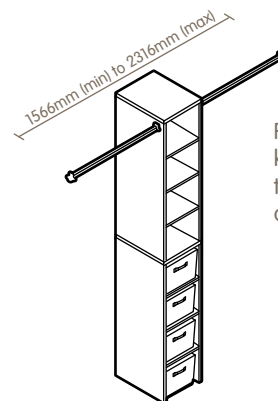
1x	BT5KIT	Half Width Wardrobe Kit
4x	BA1	Half Width Drawer



Wire baskets are great for socks whilst drawers keep things private.

1129 Shopping List

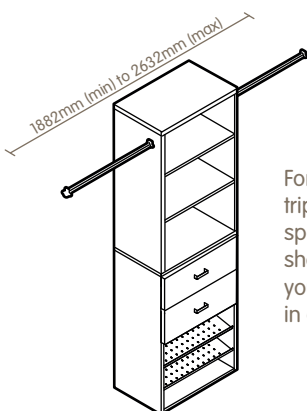
1x	BT5KIT	Half Width Wardrobe Kit
2x	BA1	Half Width Drawer
2x	BA7	Half Width Wire Basket



Fabric baskets keep everything tidy - use them on any shelf.

1113 Shopping List

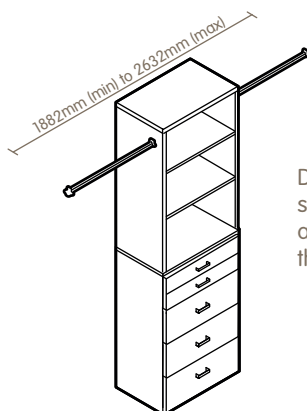
1x	BT5KIT	Half Width Wardrobe Kit
1x	BA5	Half Width Shelf Set
4x	BA9	Half Width Fabric Basket Grey
	BA9	Half Width Fabric Basket Beige



For a double or triple wardrobe space. Shoe shelves keep your shoes in order.

1114 Shopping List

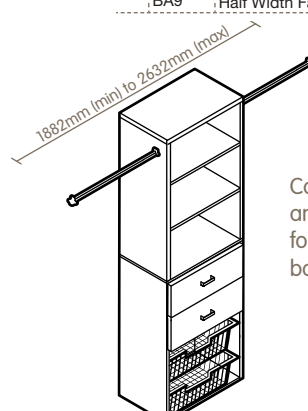
1x	BT6KIT	Standard Wardrobe Kit
2x	BA2	Standard Drawer
1x	BA13	Shoe Shelf Set



Drawers maximise storage capacity and keep things tidy.

1102 Shopping List

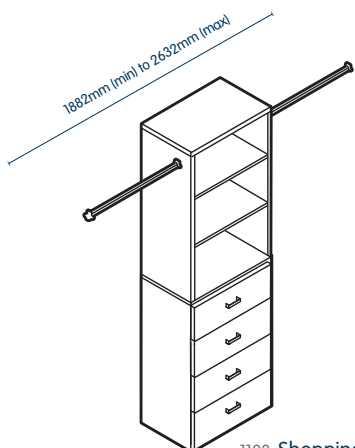
1x	BT6KIT	Standard Wardrobe Kit
2x	BA3	Half Height Drawer
3x	BA2	Standard Drawer



Combine drawers and baskets for the best of both worlds.

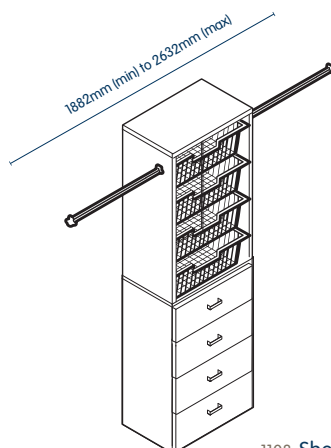
1156 Shopping List

1x	BT6KIT	Standard Wardrobe Kit
2x	BA2	Standard Drawer
2x	BA8	Standard Wire Basket



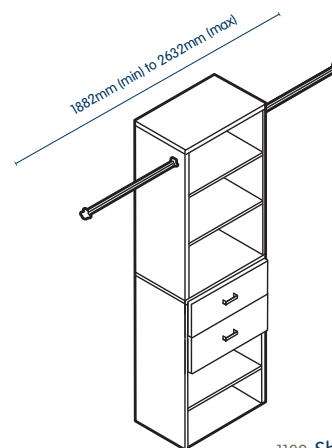
1103 Shopping List

1x	BT6KIT	Standard Wardrobe Kit
4x	BA2	Standard Drawer



1108 Shopping List

1x	BT6KIT	Standard Wardrobe Kit
4x	BA8	Standard Wire Basket
4x	BA2	Standard Drawer



1109 Shopping List

1x	BT6KIT	Standard Wardrobe Kit
2x	BA2	Standard Drawer

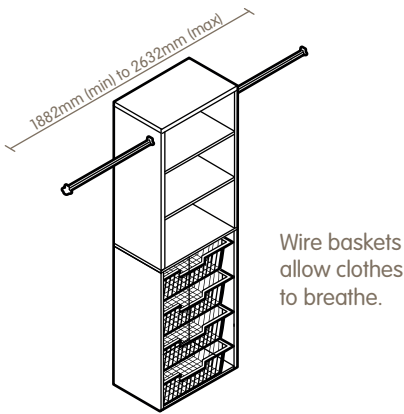


5. Wardrobes

Choose from these popular combinations or use them as a starting point to create your own wardrobe design. Available in white or maple.

N.B RODS CAN BE REMOVED TO REDUCE SPACE REQUIRED.

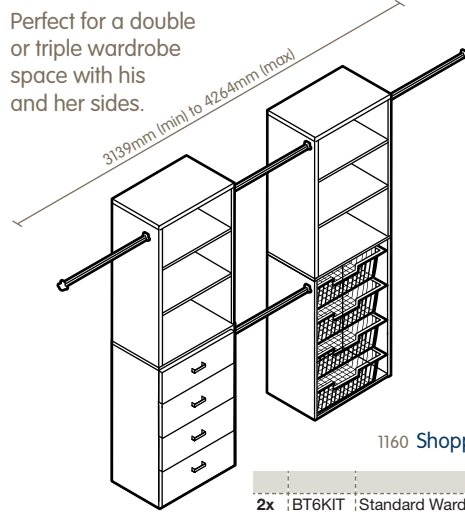
e.g Removed from 1 side less 625mm
Removed from both sides less 1250mm



Wire baskets allow clothes to breathe.

1107 Shopping List

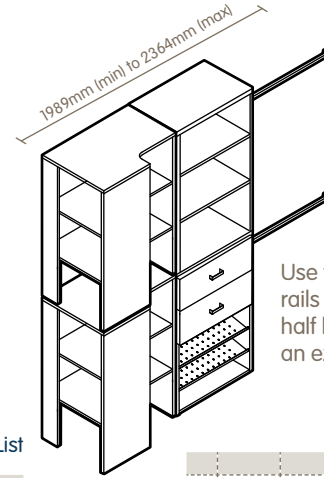
1x	BT6KIT	Standard Wardrobe Kit
4x	BA8	Standard Wire Basket



Perfect for a double or triple wardrobe space with his and her sides.

1160 Shopping List

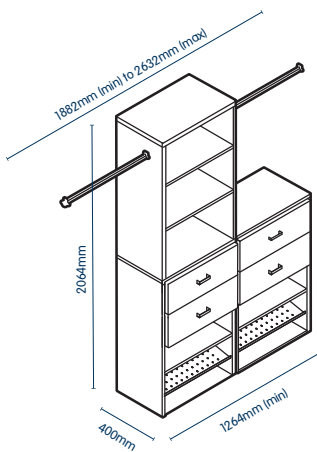
2x	BT6KIT	Standard Wardrobe Kit
4x	BA2	Standard Drawer
4x	BA8	Standard Wire Basket



Use the hanging rails at full height or half height. Or add an expanding shelf!

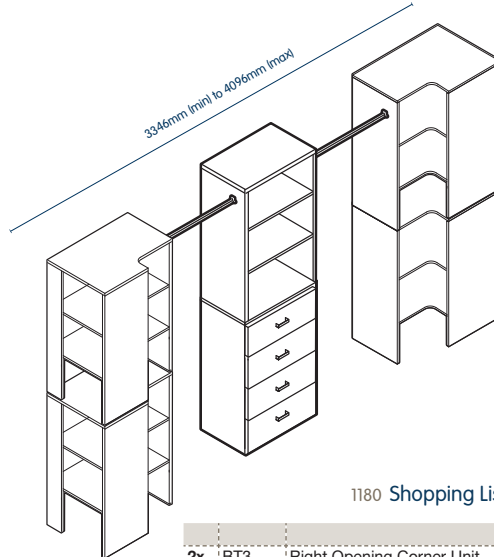
1164 Shopping List

2x	BT3	Right Opening Corner Unit
1x	BT6KIT	Standard Wardrobe Kit
2x	BA2	Standard Drawer
1x	BA13	Shoe Shelf Set



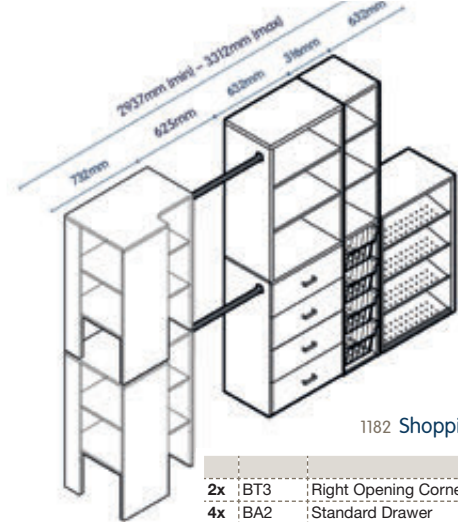
1175 Shopping List

1x	BT6KIT	Standard Wardrobe Unit
1x	BC11	Standard Cabinet
1x	BA13	Shoe Shelf Set
4x	BA2	Standard Width Drawer



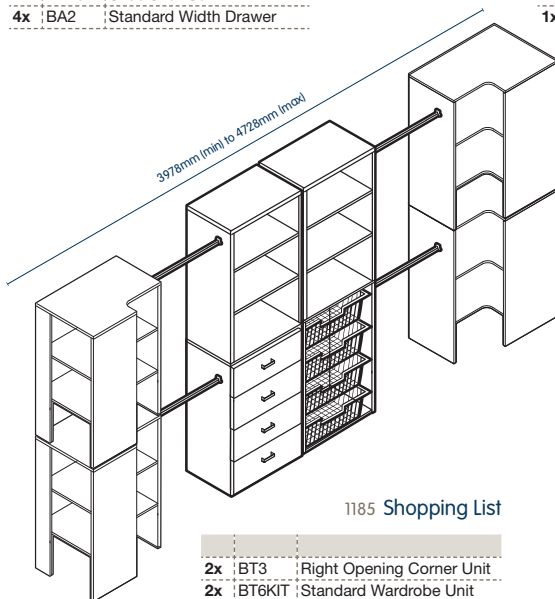
1180 Shopping List

2x	BT3	Right Opening Corner Unit
2x	BT4	Left Opening Corner Unit
4x	BA2	Standard Drawer
1x	BT6KIT	Standard Wardrobe Unit



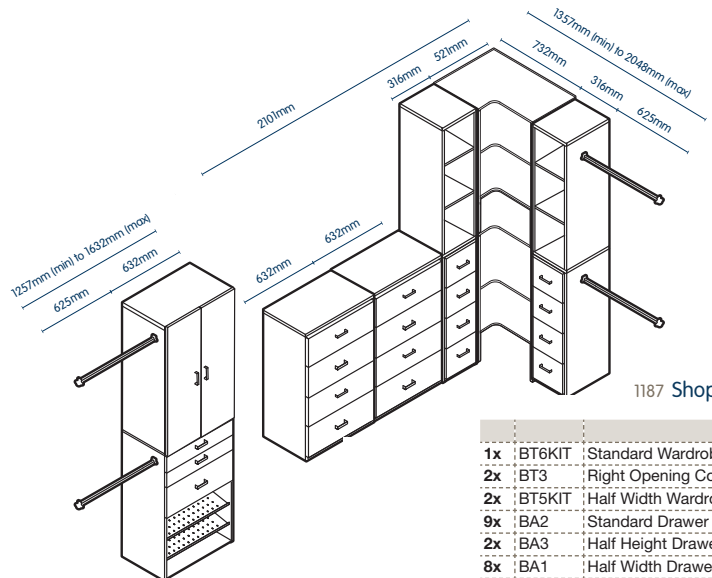
1182 Shopping List

2x	BT3	Right Opening Corner Unit
4x	BA2	Standard Drawer
1x	BT6KIT	Standard Wardrobe Unit
1x	BT5KIT	Half Width Wardrobe Kit
4x	BA7	Half Width Wire Basket
1x	BC11	Standard Cabinet
2x	BA13	Shoe Shelf Set



1185 Shopping List

2x	BT3	Right Opening Corner Unit
2x	BT6KIT	Standard Wardrobe Unit
4x	BA2	Standard Drawer
4x	BA8	Standard Wire Basket
2x	BT4	Left Opening Corner Unit



1187 Shopping List

1x	BT6KIT	Standard Wardrobe Unit
2x	BT3	Right Opening Corner Unit
2x	BT5KIT	Half Width Wardrobe Kit
9x	BA2	Standard Drawer
2x	BA3	Half Height Drawer
8x	BA1	Half Width Drawer
2x	BA4	Door
1x	BA13	Shoe Shelf Set
2x	BC11	Standard Cabinet

LEFT VIEW

6. Combinations

GetSorted is a breeze to assemble and because it's modular, you can add to it or change it at any time.

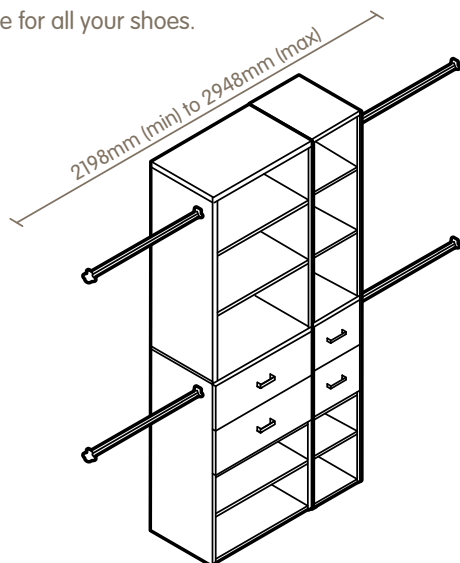
N.B RODS CAN BE REMOVED TO REDUCE SPACE REQUIRED.

e.g Removed from 1 side less 625mm
Removed from both sides less 1250mm

Available in maple & white



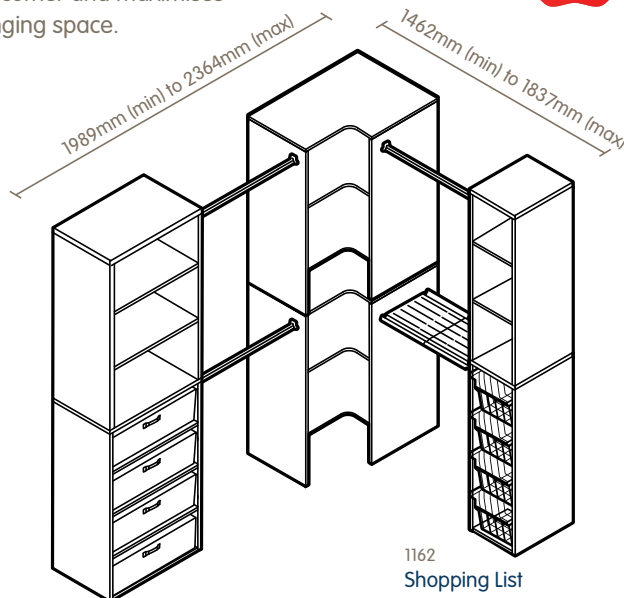
A his and hers set with space for all your shoes.



1161 Shopping List

1x	BT6KIT	Standard Wardrobe Kit
1x	BT5KIT	Half Width Wardrobe Kit
2x	BA2	Standard Drawer
2x	BA1	Half Width Drawer

Walk in solution, makes use of the corner and maximises hanging space.

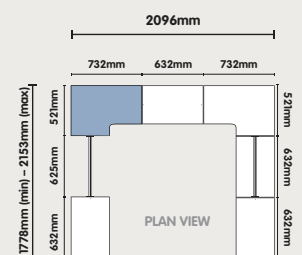
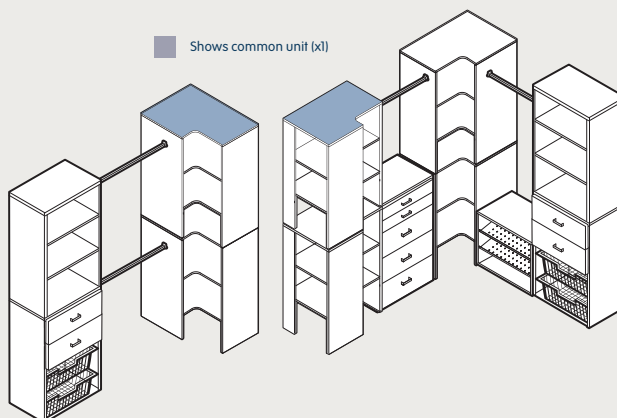


1162 Shopping List

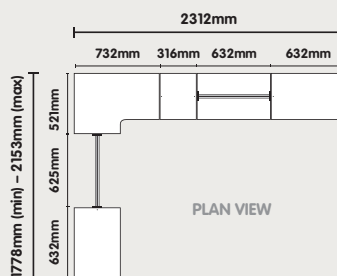
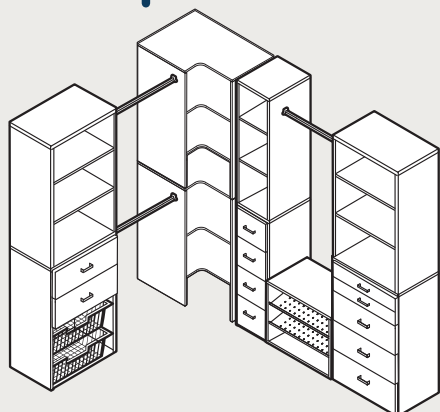
2x	BT4	Left Opening Corner Unit
1x	BT6KIT	Standard Wardrobe Kit
1x	BT5KIT	Half Width Wardrobe Kit
4x	BA10	Standard Fabric Basket Beige
	BA10	Standard Fabric Basket Grey
1x	BA6	Standard Shelf Set
1x	BA12	Adjustable Metal Shelf
4x	BA7	Half Width Wire Basket

2001 Shopping List

2x	BT6KIT	Standard Wardrobe Kit
2x	BT3	Right Opening Corner Unit
2x	BT4	Left Opening Corner Unit
1x	BC11	Standard Base Cabinet
1x	BC12	Half Height Base Cabinet
7x	BA2	Standard Drawer
2x	BA3	Half Height Drawer
4x	BA8	Standard Wire Basket
1x	BA13	Shoe Shelf Set



Examples of 2 Walk in Wardrobe Combinations



2002 Shopping List

1x	BT5KIT	Half Width Wardrobe Kit
2x	BT6KIT	Standard Wardrobe Kit
2x	BT3	Right Opening Corner Unit
1x	BC12	Half Height Base Cabinet
4x	BA1	Half Width Drawer
5x	BA2	Standard Drawer
2x	BA3	Half Height Drawer
2x	BA8	Standard Wire Basket
1x	BA13	Shoe Shelf Set



7. Furniture Components

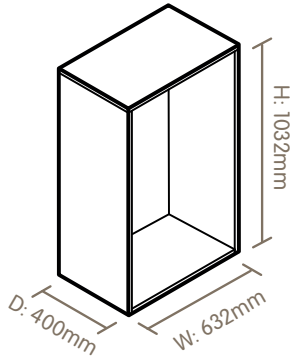
Combine base cabinets with accessories to create the combination that fits your space.
Make your shopping list, purchase, and assemble – **it's a breeze.**



Step 1 – select your base

STANDARD WIDTH/HEIGHT

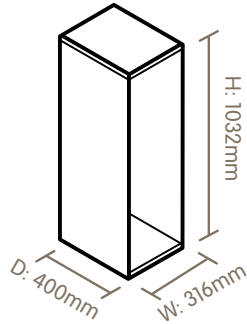
BC11
Standard Cabinet



Note: BC11 fits max 4 standard drawers/baskets or 8 half height drawers or combination

HALF WIDTH

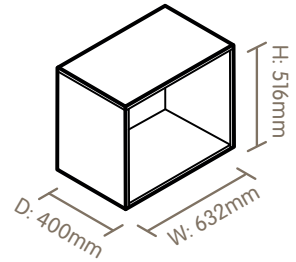
BC10
Half Width Cabinet



Note: BC10 fits max 4 half width drawers/baskets or combination

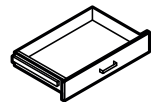
HALF HEIGHT

BC12
Half Height Cabinet



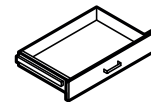
Note: BC12 fits max 2 standard drawers/baskets or 4 half height drawers or combination

Step 2 – add accessories

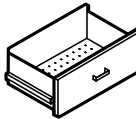


BA3
Half Height
Drawer

N/A



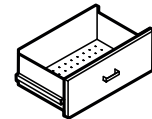
BA3
Half Height
Drawer



BA2
Standard Drawer



BA1
Half Width
Drawer



BA2
Standard Drawer



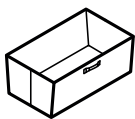
BA8
Standard
Wire Basket



BA7
Half Width
Wire Basket



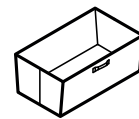
BA8
Standard
Wire Basket



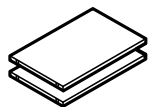
BA10
Standard
Fabric Basket
in Beige or Grey



BA9
Half Width
Fabric Basket
in Beige or Grey



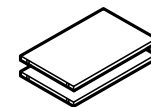
BA10
Standard
Fabric Basket
in Beige or Grey



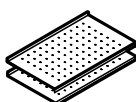
BA6
Standard
Shelf Set



BA5
Half Width
Shelf Set

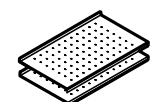


BA6
Standard
Shelf Set

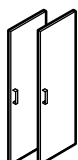


BA13
Shoe Shelf Set

N/A



BA13
Shoe Shelf Set



2x BA4
Doors



BA4
Door

N/A

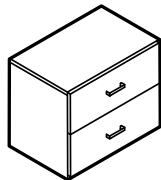


8. Furniture

GetSorted combinations are limited only by your imagination.
Mix, match, and stack components to create a combination that works for you!



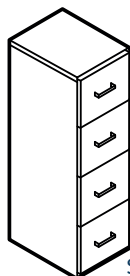
Bedside or office drawers - multiply for low line storage.



1030
Shopping List

1x	BC12	Half Height Cabinet
2x	BA2	Standard Drawer

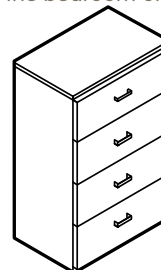
Half width tallboy saves on space.



1035
Shopping List

1x	BC10	Half Width Cabinet
4x	BA1	Half Width Drawer

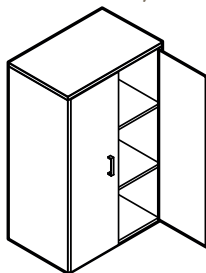
Tallboy - perfect for the bedroom or office.



1033
Shopping List

1x	BC11	Standard Cabinet
4x	BA2	Standard Drawer

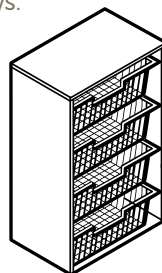
Cupboard with adjustable shelves - great for the office, laundry, or garage.



1051
Shopping List

1x	BC11	Standard Cabinet
1x	BA6	Standard Shelf Set
2x	BA4	Door

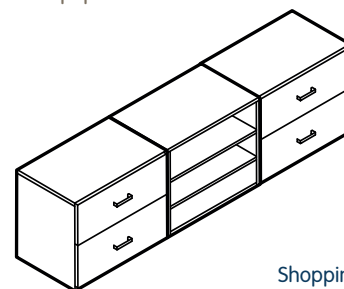
Wire baskets are great for sports gear or stray toys.



1150
Shopping List

1x	BC11	Standard Cabinet
4x	BA8	Standard Wire Basket

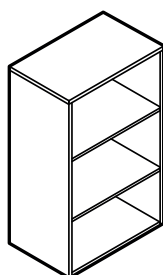
Entertainment unit with a spot for all your equipment.



1145
Shopping List

3x	BC12	Half Height Cabinet
4x	BA2	Standard Drawer
1x	BA6	Standard Shelf Set

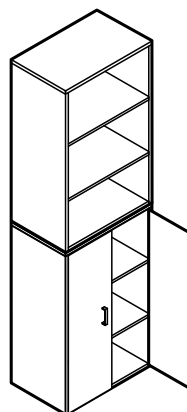
Shelves are always handy - grab some baskets to organise your things.



1050
Shopping List

1x	BC11	Standard Cabinet
1x	BA6	Standard Shelf Set

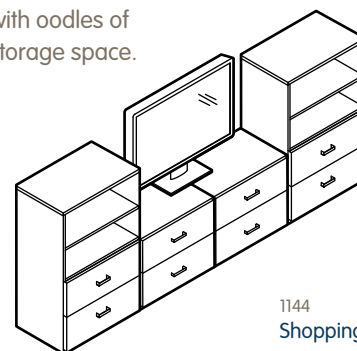
Office wall unit - adjust the shelves to suit your filing needs.



1084
Shopping List

2x	BC11	Standard Cabinet
2x	BA6	Standard Shelf Set
2x	BA4	Door

Entertainment unit with oodles of storage space.



1144
Shopping List

2x	BC11	Standard Cabinet
2x	BC12	Half Height Cabinet
2x	BA6	Standard Shelf Set
8x	BA2	Standard Drawer